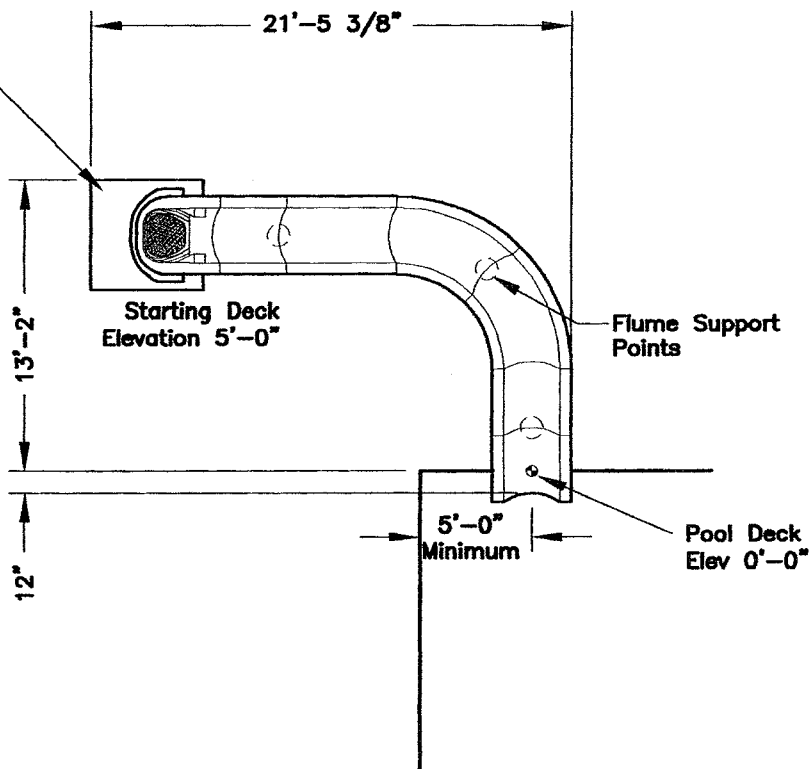


60 x 60 x 4"
Concrete Pad
Provided
By Others



MODEL: 29R

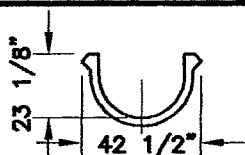
POOL RECOMMENDATIONS

Recommended Minimum
Pool Area Reserved For
Slide Operation Is
10' x 20' With Minimum
Water Depth Of 36"

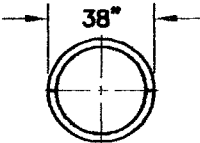
BASE SPECIFICATIONS

Ride Length	28.98'
Centerline Length	27.07'
Starting Elevation	5'-0"
Slope	20.81%
Flume Width	32.00"
Centerline Radius	6'-0"
Designed Water Flow	200 GPM

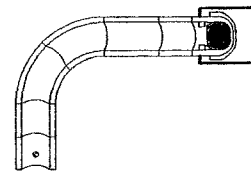
OPTIONAL CONSIDERATIONS



32" Open Flume



32" Enclosed Flume



MIRROR IMAGE
MODEL: 29L

DWG SCALE
1/8" = 1'-0"